



# *Internal Combustion Engines*

## **Lecture-8**

**Swarnendu Sen**

**Professor**

**Department of Mechanical Engineering**

**Jadavpur University**

**Kolkata – 700032**

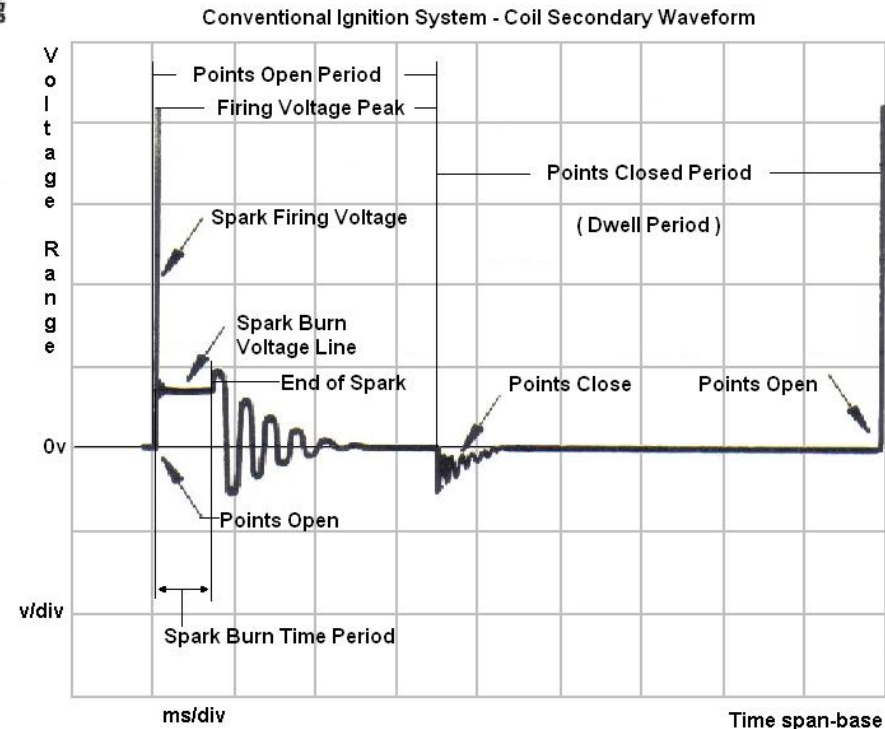
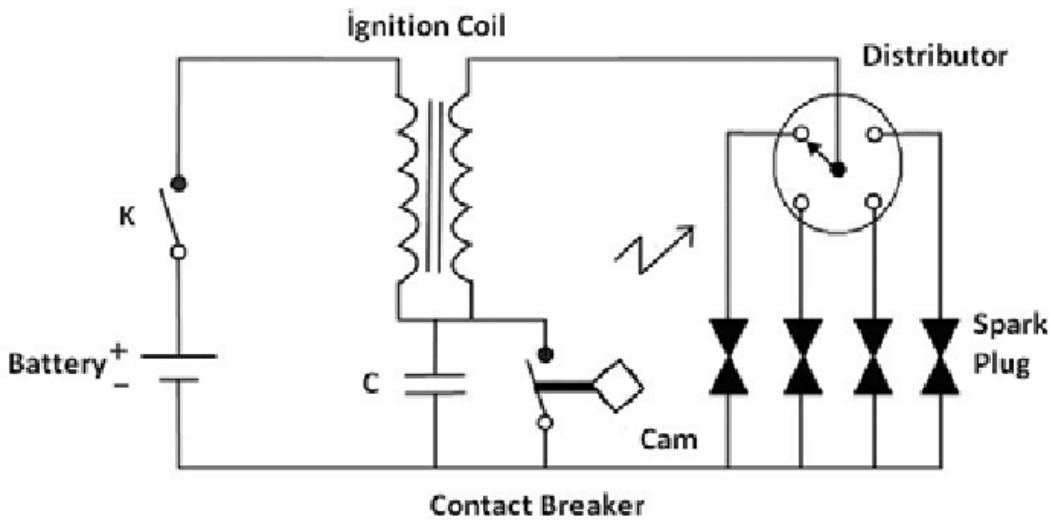
**E-mail: [sen.swarnendu@gmail.com](mailto:sen.swarnendu@gmail.com)**



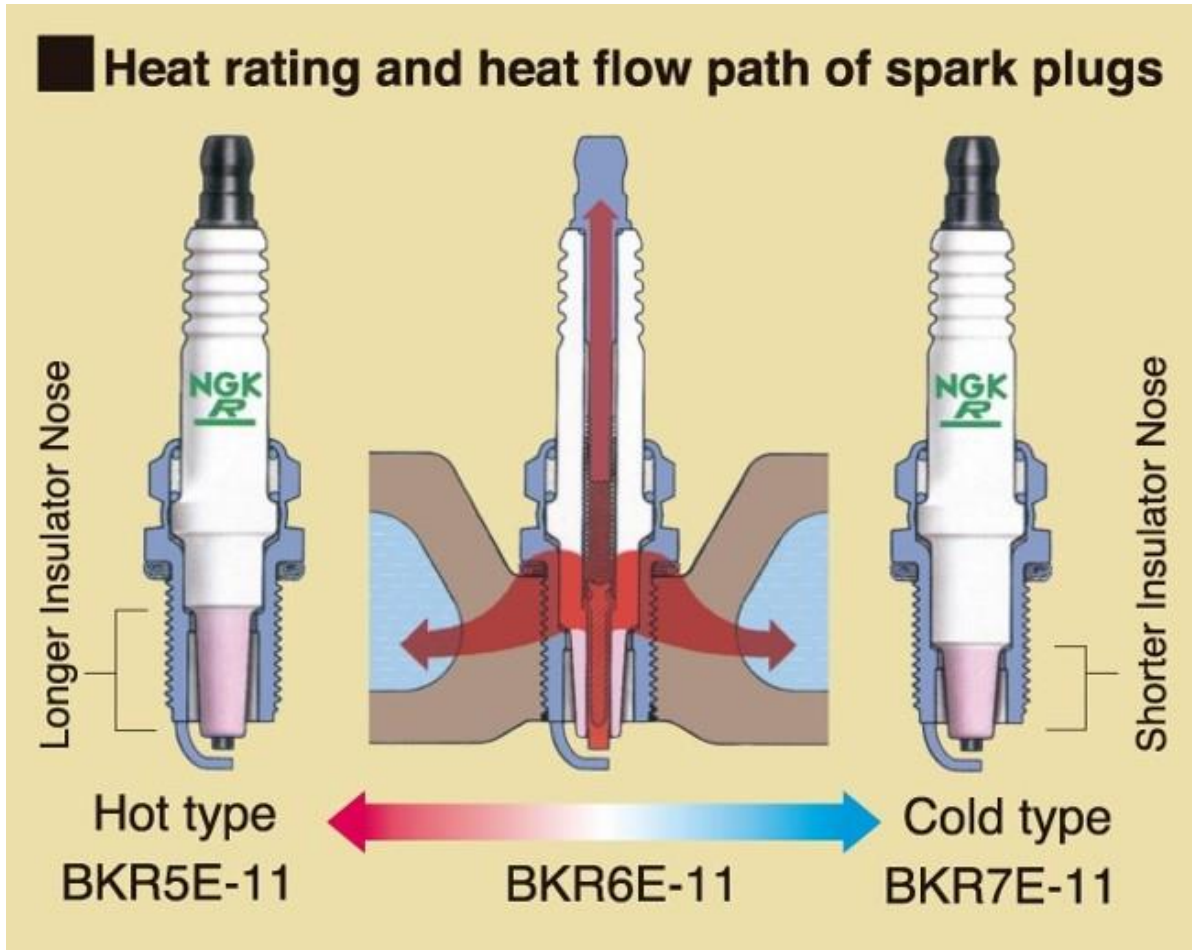
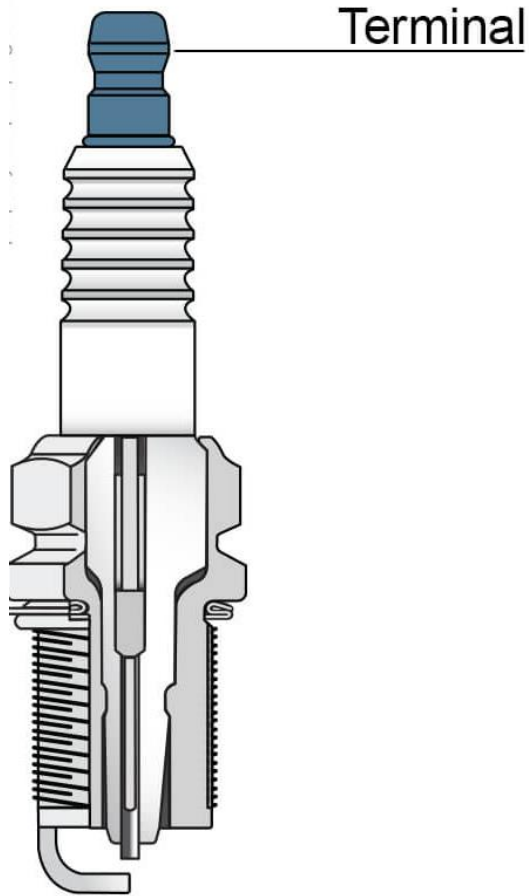
# Ignition in SI Engine

- High voltage for spark generation
- Proper timing of spark generation
  
- Battery ignition system
- Magneto ignition system

# Battery Ignition System



# Spark Plug





**Thank You**