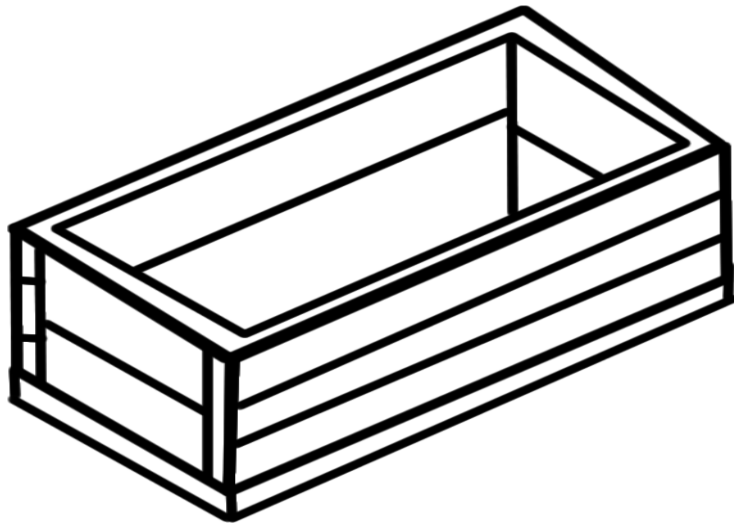
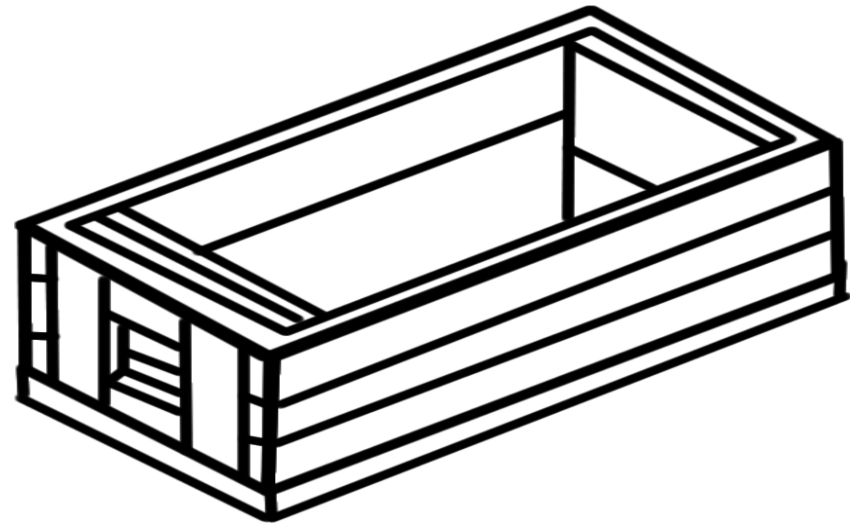


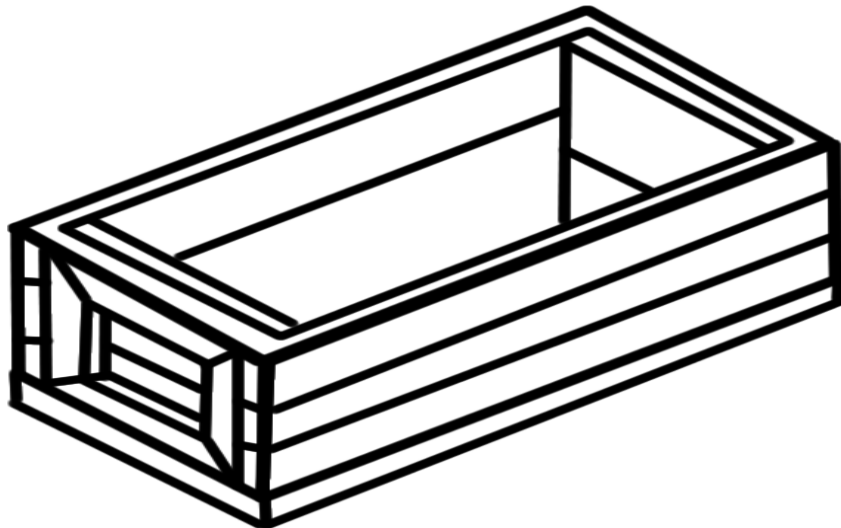
Different types of standard packaging wooden boxes



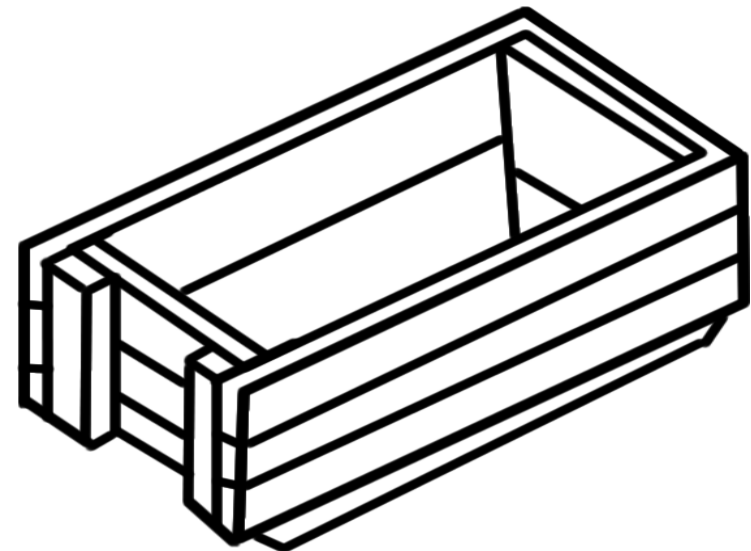
Style 1: Uncleated ends, can hold upto 60lbs.



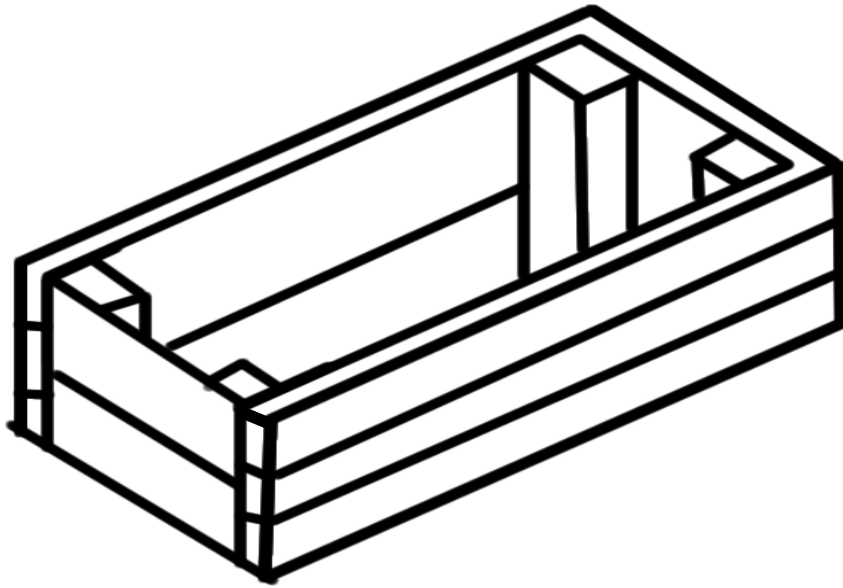
Style 2: Four cleats, 2 horizontal cleats increases rigidity of the top and bottom while 2 vertical cleats increases rigidity of box sides. Can carry upto 600lbs.



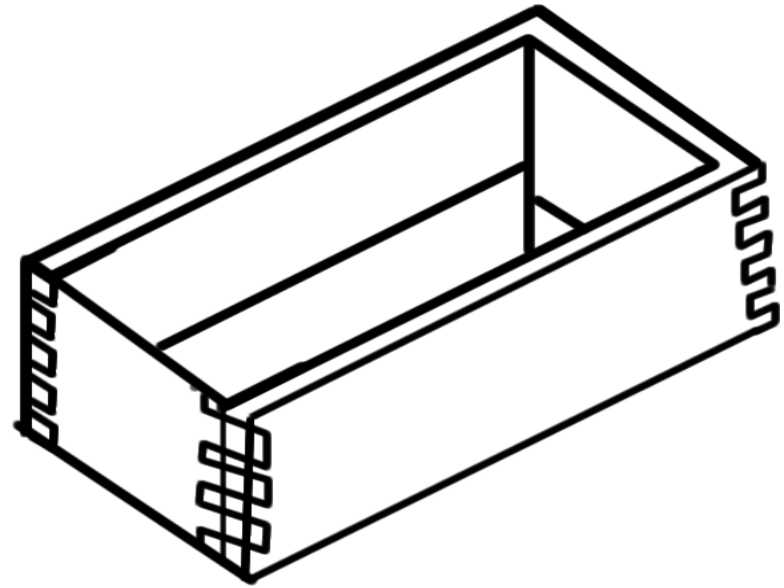
Style 2 1/2: Same as 2 but the cleat joining are different



Style 4: Two cleats, vertically or horizontally, may be inside opr outside. Can carry upto 600 lbs.



Style 5: Reduced size, internal supports of woods and carry upto 200lbs.



Style 6: Locked corners and dovetails are secured by glue between series of tensions. Can carry upto 100lbs.

Commonly used nail dimensions in inch

Type of nails in (Penny 'd')	Common nails		Box nails		Threaded nails	
	L	D	L	D	L	D
6d	2	0.113	2	0.098	2	0.120
8d	2.5	0.131	2.5	0.113	2.5	0.120
10d	3	0.148	3	0.128	3	0.135
16d	3.5	0.162	3.5	0.135	3.5	0.148
20d	4	0.192	4	0.148	4	0.177
40d	5	0.226	5	0.162	5	0.177